

FAG

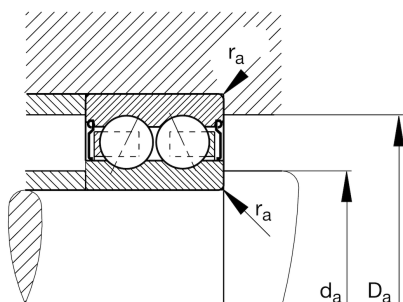
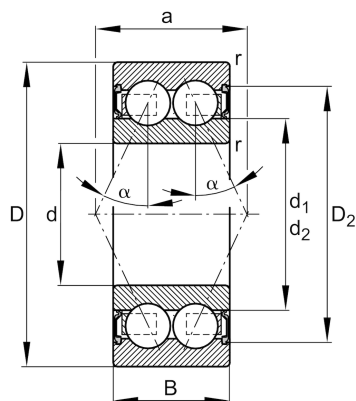
3201-BB-2RSR-TVH

Angular contact ball bearing

Schaeffler ID:
0214568790000

Angular contact ball bearing 32..-B-2RSR-TVH, double row, seals, plastic cage

Technical information

**Main Dimensions & Performance Data**

d	12 mm	Bore diameter
D	32 mm	Outside diameter
B	15,9 mm	Width
C_r	10.500 N	Basic dynamic load rating, radial
C_{0r}	5.800 N	Basic static load rating, radial
C_{ur}	300 N	Fatigue load limit, radial
n_G	15.000 1/min	Limiting speed
	0,057 kg	Weight

Dimensions

r_{min}	0,6 mm	Minimum chamfer dimension
D_2	27,8 mm	Caliber diameter outer ring
d_2	17,2 mm	Caliber diameter inner ring
a	16,53 mm	Distance between the apexes of the pressure cones
α	25 °	Contact angle

Mounting dimensions

$d_{a min}$	16,2 mm	Minimum diameter shaft shoulder
$D_{a max}$	27,8 mm	Maximum diameter of housing shoulder
$r_{a max}$	0,6 mm	Maximum fillet radius

Temperature range

T_{min}	-20 °C	Operating temperature min.
T_{max}	100 °C	Operating temperature max.